

DMS20D Part No : 21000-CBGG0



MSRP : \$ 64.13

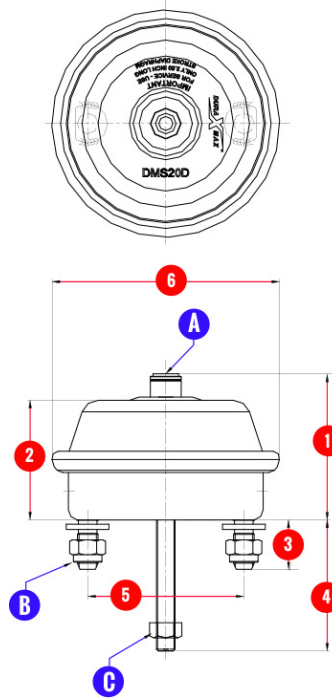
General

Features & Benefit

Technical Data

Cross Reference

DuraMax DMS20D Service Brake Chamber



	DMS 20D
SIZE	20
STROKE	2.5" / (63.5mm)
Wt. lb (kg)	6.92 lb (3.14kg)
1	4.54"/115.5mm
2	3.66"/93±3mm
3	1.54±0.05" (39±1.3mm)
4	10±0.100" (254±2.54mm)
5	4.75±0.06" (120.65±1.5mm)
6	3.46±0.1" (87.9±3mm)
7	3.46±0.1" (87.9±3mm)
A (PORT)	3/8-18NPTF
B (MTG BOLT)	5/8-11-UNC-2A
C (P/ROD)	5/8-18-UNF-2A

Note

1. DIMENSION "4" MEASURED WITH MAIN SPRING COMPRESSED PNEUMATICALLY
2. PRODUCT PERFORMANCE MEET SAE J2318 STANDARD.
3. PRODUCT COMPLIANCE TO FMVSS121 REGULATIONS