

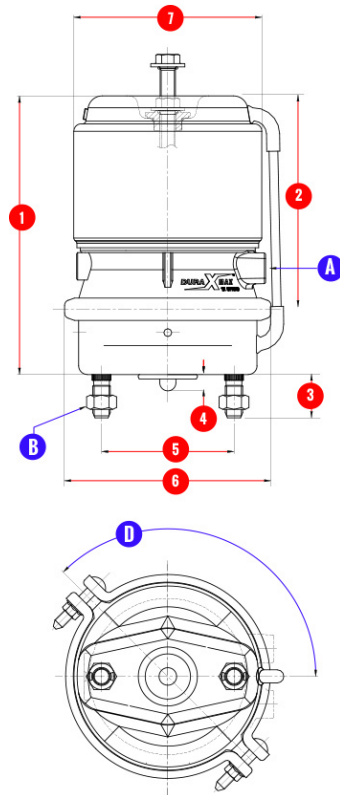
DMPB2424DT Part No : 21000-B7GTO



MSRP : \$ 353.17

DMPB2424DT Part No : 21000-B7GTO

General	Features & Benefit	Technical Data	Cross Reference
---------	--------------------	----------------	-----------------



	DMPB2424DT
SIZE	2424
STROKE	2.5 (63.5mm)
Wt. lb (kg)	19.6lb(8.9kg)
1	9.92"/252mm
2	7.53±0.08 (191.5±2mm)
3	1.5±0.08" (38±2mm)
4	0.59"/15mm
5	4.75±0.04" (120.7±1mm)
6	7.5"/190mm
7	6.73"/171mm
A (PORT)	3/8 -18NPTF
B (MTG BOLT)	5/8-11-UNC-2A
C (P/ROD)	N/A
HOLD-OFF	4.9bar/71psi
Release	5.4bar/78psi

Note

- DIMENSION "4" MEASURED WITH MAIN SPRING COMPRESSED PNEUMATICALLY
- PRODUCT PERFORMANCE MEET SAE J2318 STANDARD.
- PRODUCT COMPLIANCE TO FMVSS121 REGULATIONS