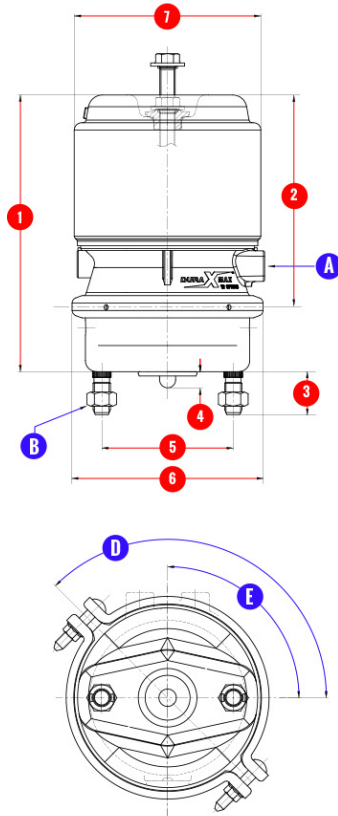


DMPB2424DI Part No : 21000-B7G00



MSRP : \$ 365.42

General	Features & Benefit	Technical Data	Cross Reference
			DMPB2424DI
SIZE			2424
STROKE			2.5" (63.5mm)
Wt. lb (kg)			19.6lb(8.9kg)
1			9.92"/252mm
2			7.53±0.08 (191.5±2mm)
3			1.5±0.08" (38±2mm)
4			0.59"/15mm
5			4.75±0.04" (120.7±1mm)
6			7.5"/190mm
7			6.73"/171mm
A (PORT)			3/8 - 18NPTF
B (MTG BOLT)			5/8-11-UNC-2A
C (P/ROD)			N/A
HOLD-OFF			4.9bar/71psi
Release			5.4bar/78psi



Note

1. DIMENSION "4" MEASURED WITH MAIN SPRING COMPRESSED PNEUMATICALLY
2. PRODUCT PERFORMANCE MEET SAE J2318 STANDARD.
3. PRODUCT COMPLIANCE TO FMVSS121 REGULATIONS