

DMD3030E Part Number : 21000-A9GG0

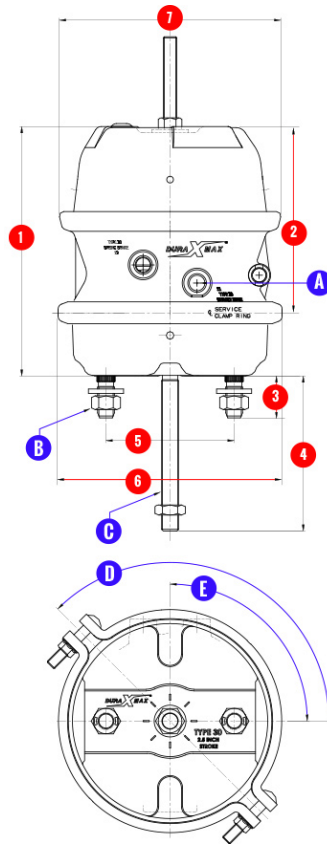


MSRP : \$ 126.03

Rod Size 5.75" : \$125.14
 Rod Size 9.75" : \$125.95
 Rod Size 12.75" : \$137.26

DMD3030E Part Number : 21000-A9GG0

General	Features & Benefit	Technical Data	Cross Reference
---------	--------------------	----------------	-----------------



	DMD 3030E
SIZE	3030
STROKE	3" (76.2mm)
Wt. lb (kg)	20.5lb(9.29kg)
1	9.84"/250mm
2	7.43"/188mm
3	1.55±0.05" / 39.5±1.3mm
4	10±0.100" / 254±2.54mm
4 (DMD3030E-575)	5.75±0.100" / 146±2.54mm
4 (DMD3030E-975)	9.75±0.100" / 247±2.54mm
4 (DMD3030E-NTRAXX)	12.75±0.100" / 323±2.54mm
5	4.75±0.05" / 120.65±1.5mm
6	8.3"/211mm
7	8.3"/211mm
A (PORT)	3/8 -18NPTF
B (MTG BOLT)	5/8-11-UNC-2A
C (P/ROD)	5/8-18-UNF-2A
HOLD-OFF	6.2bar/89.9psi

Note

1. DIMENSION "4" MEASURED WITH MAIN SPRING COMPRESSED PNEUMATICALLY
2. PRODUCT PERFORMANCE MEET SAE J2318 STANDARD.
3. PRODUCT COMPLIANCE TO FMVSS121 REGULATIONS