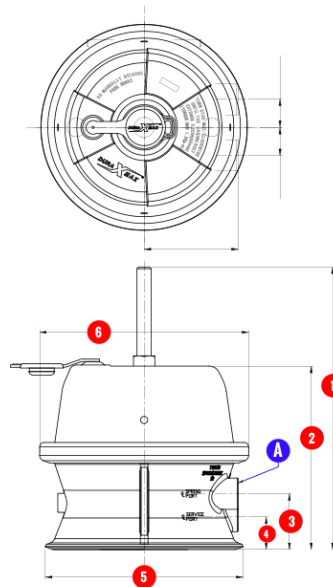


DMD2424DP Part Number : 21500-C3G00



MSRP : \$ 117.41

General	Features & Benefit	Technical Data	Cross Reference
---------	--------------------	----------------	-----------------



	DMD 2424DP
SIZE	2424
STROKE	2.5" (63.5mm)
Wt. lb (kg)	11.08lb(5.02kg)
1	9.95"/252.7mm
2	6.46"/164mm
3	1.97"/50mm
4	1.15"/29.2mm
5	6.94"/176.2mm
6	7.34"/186mm
7	N/A
A (PORT)	3/8 -18NPTF
B (MTG BOLT)	N/A
C (P/ROD)	N/A
HOLD-OFF	6.2bar/89.9psi

Note

1. DIMENSION "4" MEASURED WITH MAIN SPRING COMPRESSED PNEUMATICALLY
2. PRODUCT PERFORMANCE MEET SAE J2318 STANDARD.
3. PRODUCT COMPLIANCE TO FMVSS121 REGULATIONS