

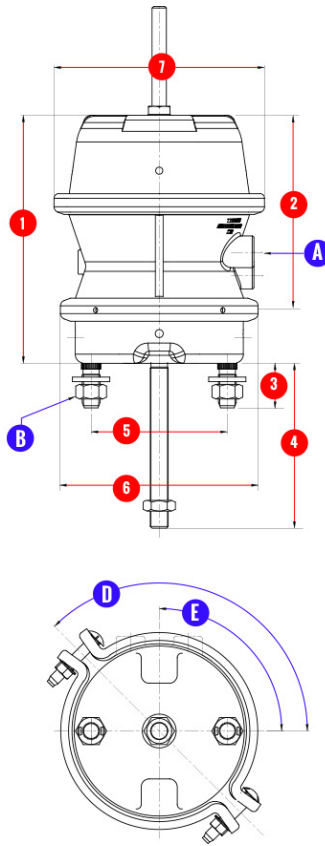
DMD2024D Part Number : 21000-CAGGO



MSRP : \$ 148.34

DMD2024D Part Number : 21000-CAGGO

General	Features & Benefit	Technical Data	Cross Reference
---------	--------------------	----------------	-----------------



	DMD 2024D
SIZE	2024
STROKE	2.5" (63.5mm)
Wt. lb (kg)	15lb(6.8kg)
1	8.58"/218mm
2	6.70"/170mm
3	1.55±0.05" / 39.5±1.3mm
4	10±0.100" / 254±2.54mm
5	4.75±0.05" / 120.65±1.5mm
6	6.88"/175mm
7	7.32"/186mm
A (PORT)	3/8 -18NPTF
B (MTG BOLT)	5/8-11-UNC-2A
C (P/ROD)	5/8-18-UNF-2A
HOLD-OFF	6.2bar/89.9psi

Note

1. DIMENSION "4" MEASURED WITH MAIN SPRING COMPRESSED PNEUMATICALLY
2. PRODUCT PERFORMANCE MEET SAE J2318 STANDARD.
3. PRODUCT COMPLIANCE TO FMVSS121 REGULATIONS